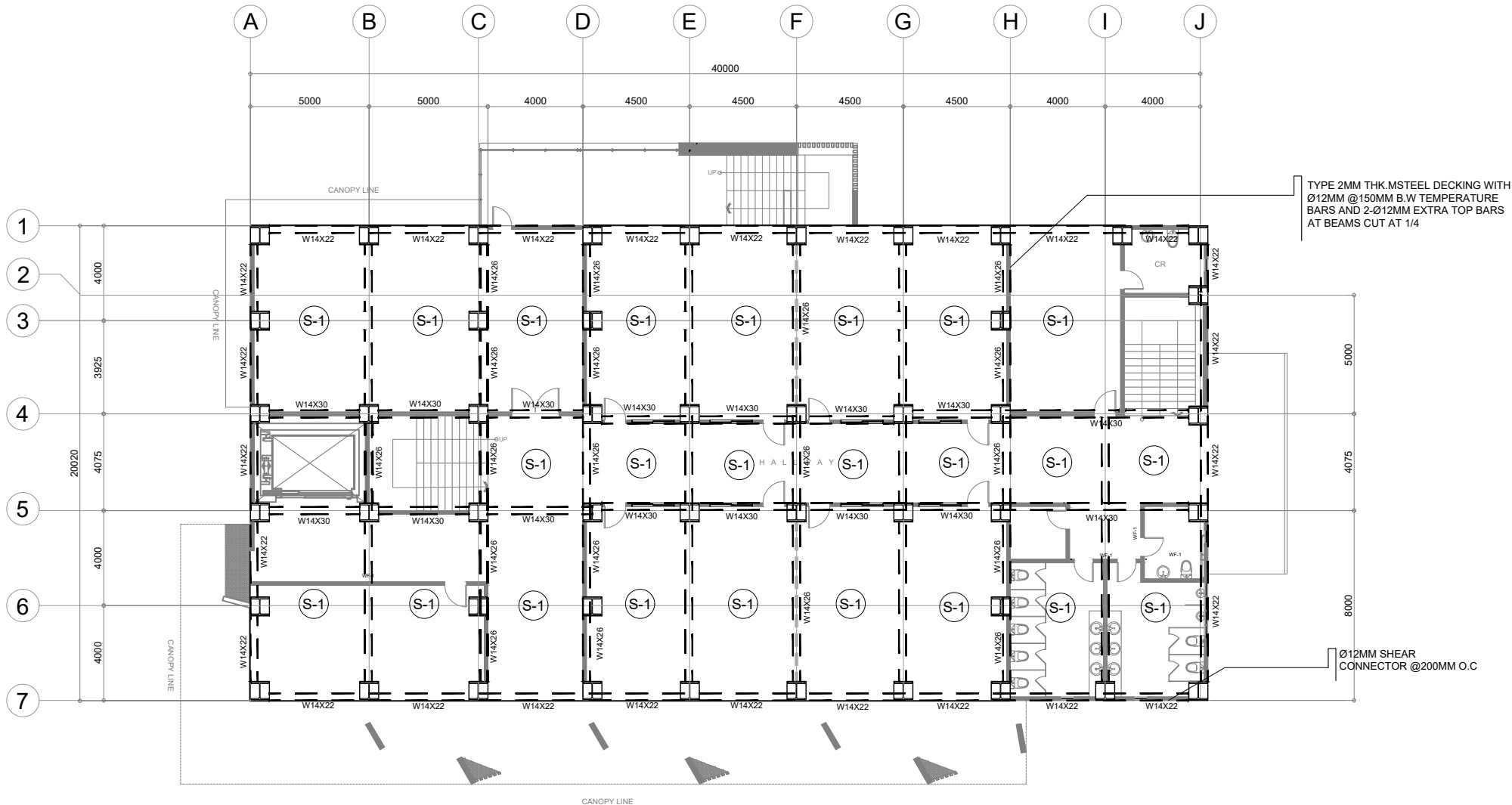


**FOUNDATION PLAN**  
 SCALE 1:180

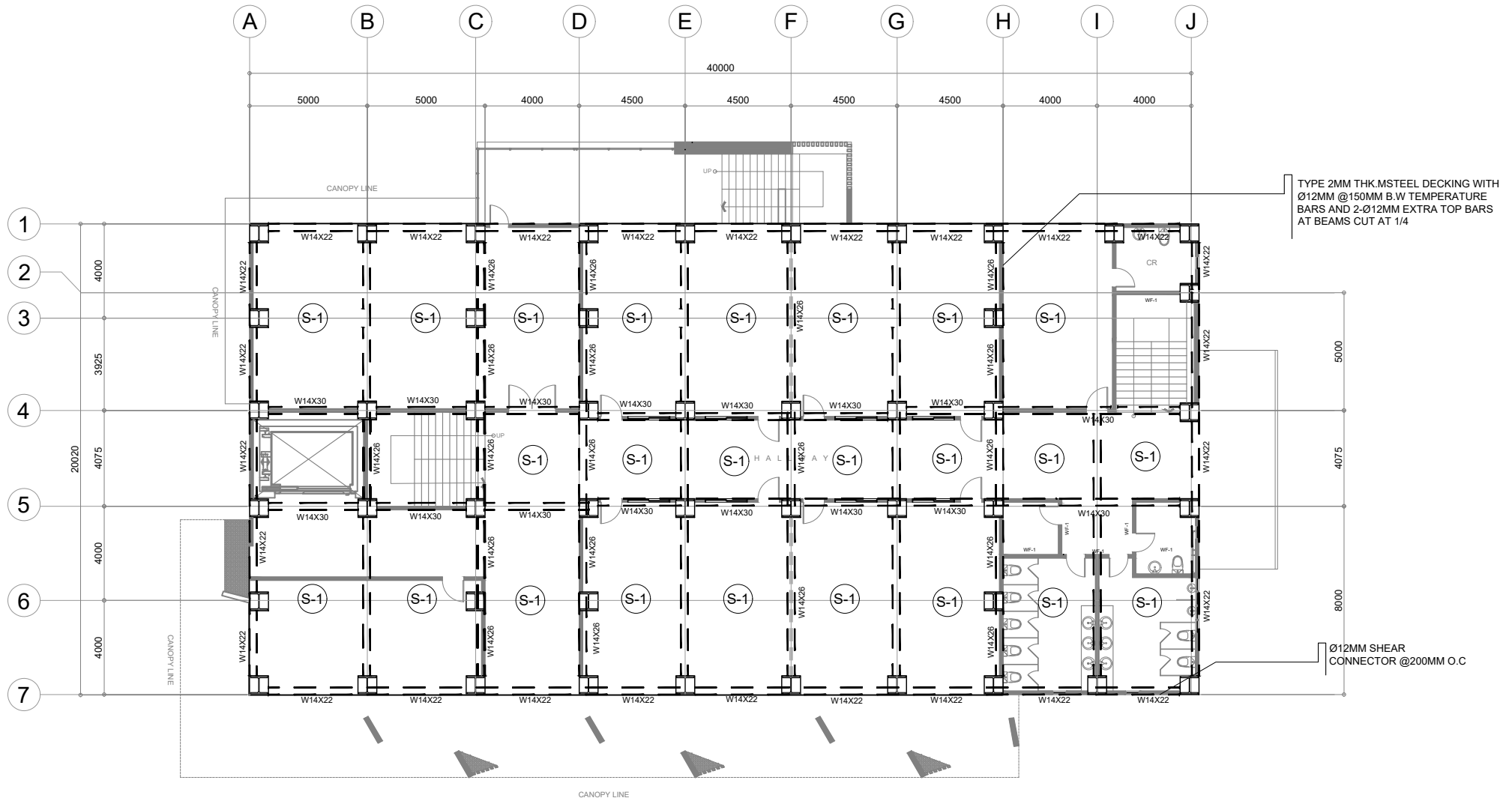
	REP. ACT 9266 SEC. 33  <small>DRAWINGS AND COPIES THEREOF, AS INSTRUMENTS OF SERVICE, ARE THE PROPERTY OF THE ARCHITECT. WHETHER THE WORK FOR WHICH THEY ARE MADE, BE EXECUTED OR NOT, AND NOT TO BE REPRODUCED OR USED ON OTHER WORK EXCEPT BY WRITTEN AGREEMENT WITH THE ARCHITECT.</small>	<b>ARCHITECT:</b>  _____ <small>Architect</small>	<b>PROJECT TITLE:</b>  <b>CONSTRUCTION OF COLLEGE OF BUSINESS, ACCOUNTANCY AND TECHNOPRENEURSHIP BUILDING</b>	<b>PREPARED BY:</b>  <u>FAYE MICHELLE A. BANIAGO</u> <small>AutoCAD Operator</small>	<b>REVIEWED BY:</b>  <u>ARCH. HANNAH FAITH P. MORTA, uap</u> <small>Director, IPPDO</small>	<b>SHEET CONTENT:</b>  AS SHOWN	<b>SHEET NO.:</b>  
	<b>PRC REG. No. :</b> _____ <b>Validity :</b> _____ <b>PTR No. :</b> _____ <b>Date :</b> _____ <b>Place :</b> _____ <b>TIN :</b> _____	<b>LOCATION: ROMBLON STATE UNIVERSITY-MAIN CAMPUS</b> <b>REV.:</b> _____	<b>CHECKED BY:</b>  <u>ENGR. NOEL M. TIANGA JR.</u> <small>Unit Head, PPDU-IPDDO</small>	<b>APPROVED BY:</b>  <u>MERIAN P. CATAJAY-MAN Ed. D., CESE</u> <small>Romblon State University President</small>			




**SECOND FLOOR FRAMING PLAN**  
 SCALE 1:170

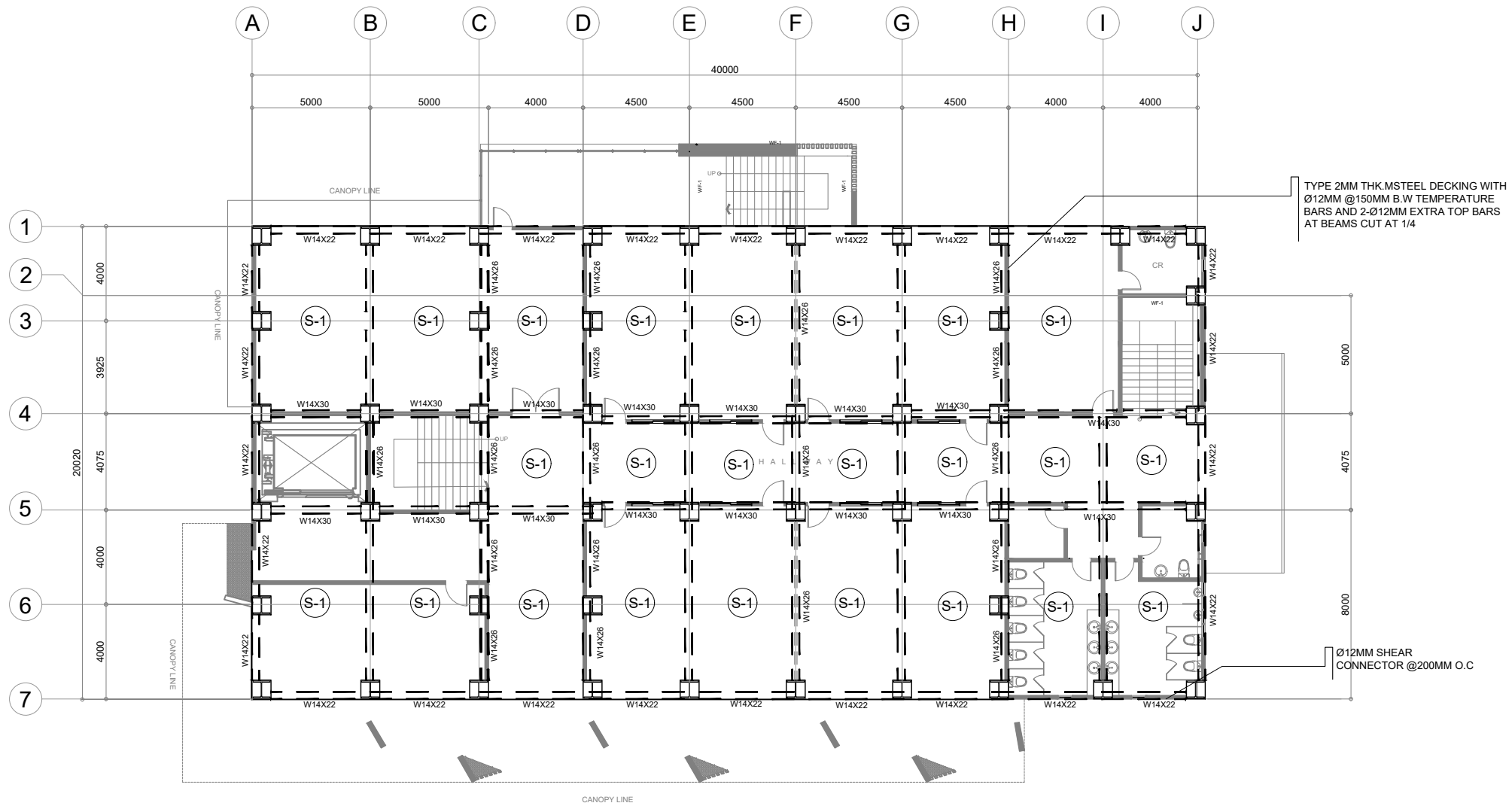


REP. ACT 9266 SEC. 33  <small>           DRAWINGS AND COPIES THEREOF, AS INSTRUMENTS OF SERVICE, ARE THE PROPERTY OF THE ARCHITECT. WHETHER THE WORK FOR WHICH THEY ARE MADE, BE EXECUTED OR NOT, AND NOT TO BE REPRODUCED OR USED ON OTHER WORK EXCEPT BY WRITTEN AGREEMENT WITH THE ARCHITECT.         </small>	<b>ARCHITECT:</b>  _____ Architect	<b>PROJECT TITLE:</b>  <p style="text-align: center;"><b>CONSTRUCTION OF COLLEGE OF BUSINESS, ACCOUNTANCY AND TECHNOPRENEURSHIP BUILDING</b></p>	<b>PREPARED BY:</b>  <u>FAYE MICHELLE A. BANIAGO</u> <small>AutoCAD Operator</small>	<b>REVIEWED BY:</b>  <u>ARCH. HANNAH FAITH P. MORTA, uap</u> <small>Director, IPPDO</small>	<b>SHEET CONTENT:</b>  AS SHOWN	<b>SHEET NO.:</b>  						
	<table border="1" style="width: 100%; border-collapse: collapse;"> <tr> <td style="width: 50%;">PRC REG. No. :</td> <td>Validity :</td> </tr> <tr> <td>PTR No. :</td> <td>Date :</td> </tr> <tr> <td>Place :</td> <td>TIN :</td> </tr> </table>	PRC REG. No. :	Validity :	PTR No. :	Date :	Place :	TIN :	<b>LOCATION: ROMBLON STATE UNIVERSITY-MAIN CAMPUS</b>	<b>REV.:</b>  <u>ENGR. NOEL M. TIANGA JR.</u> <small>Unit Head, PPDU-IPPDO</small>	<b>APPROVED BY:</b>  <u>MERIAN P. CATAJAY-MAN Ed. D., CESE</u> <small>Romblon State University President</small>		
PRC REG. No. :	Validity :											
PTR No. :	Date :											
Place :	TIN :											



○
**THIRD FLOOR FRAMING PLAN**  
 SCALE 1:170

	REP. ACT 9266 SEC. 33  DRAWINGS AND COPIES THEREOF, AS INSTRUMENTS OF SERVICE, ARE THE PROPERTY OF THE ARCHITECT, WHETHER THE WORK FOR WHICH THEY ARE MADE, BE EXECUTED OR NOT, AND NOT TO BE REPRODUCED OR USED ON OTHER WORK EXCEPT BY WRITTEN AGREEMENT WITH THE ARCHITECT.	<b>ARCHITECT:</b>  _____ Architect	<b>PROJECT TITLE:</b>  <b>CONSTRUCTION OF COLLEGE OF BUSINESS, ACCOUNTANCY AND TECHNOPRENEURSHIP BUILDING</b>	<b>PREPARED BY:</b>  _____ FAYE MICHELLE A. BANIAGO <small>AutoCAD Operator</small>	<b>REVIEWED BY:</b>  _____ ARCH. HANNAH FAITH P. MORTA, uap <small>Director, IPPDO</small>	<b>SHEET CONTENT:</b>  AS SHOWN	<b>SHEET NO.:</b>  ○	
	PRC REG. No. : _____ PTR No. : _____ Place : _____	Validity : _____ Date : _____ TIN : _____	<b>LOCATION: ROMBLON STATE UNIVERSITY-MAIN CAMPUS</b>	<b>REV.:</b>  _____ ENGR. NOEL M. TIANGA JR. <small>Unit Head, PPDU-IPPDO</small>	<b>CHECKED BY:</b>  _____	<b>APPROVED BY:</b>  _____ MERIAN P. CATAJAY-MAN Ed. D., CESE <small>Romblon State University President</small>		



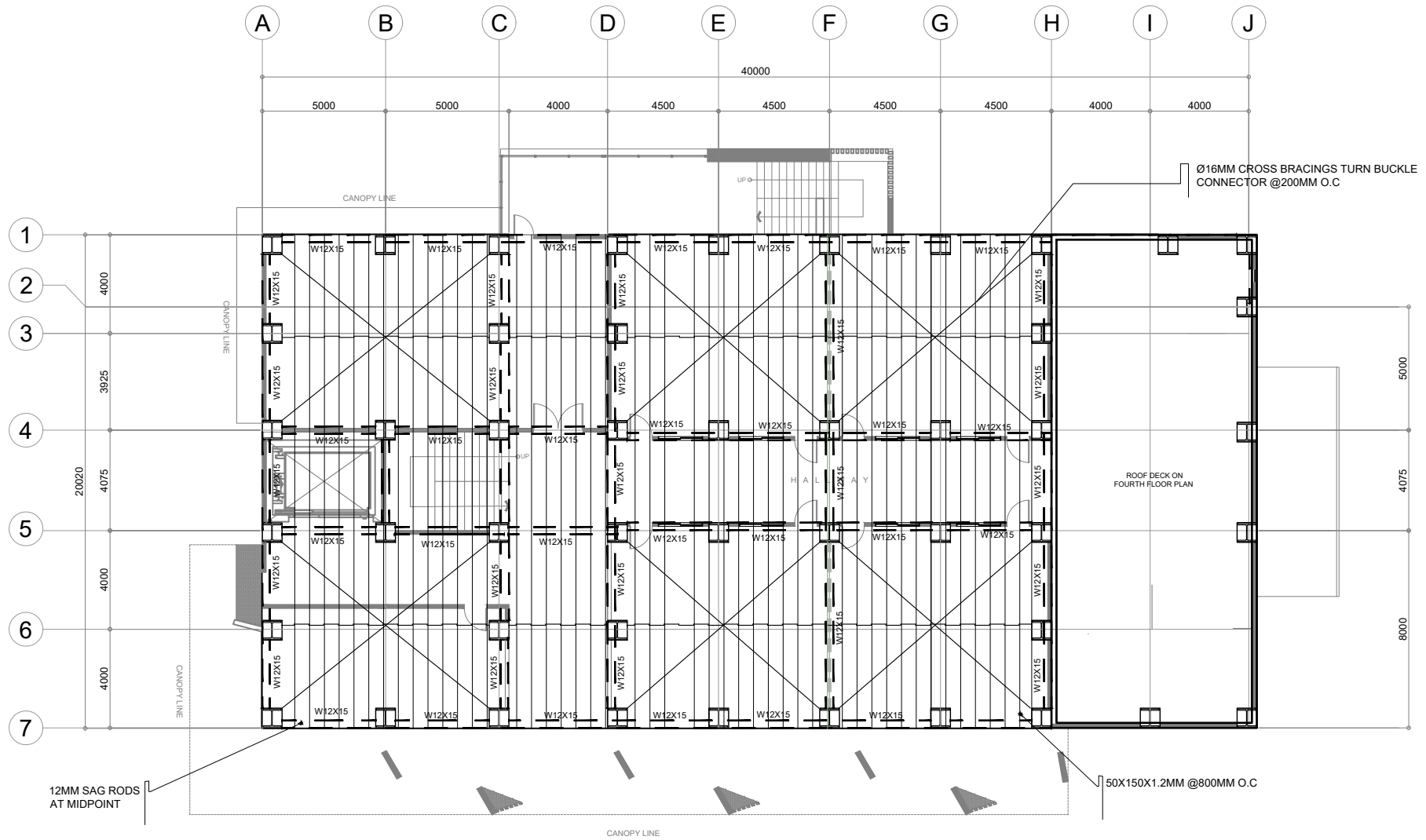
# FOURTH FLOOR FRAMING PLAN

SCALE


1:170

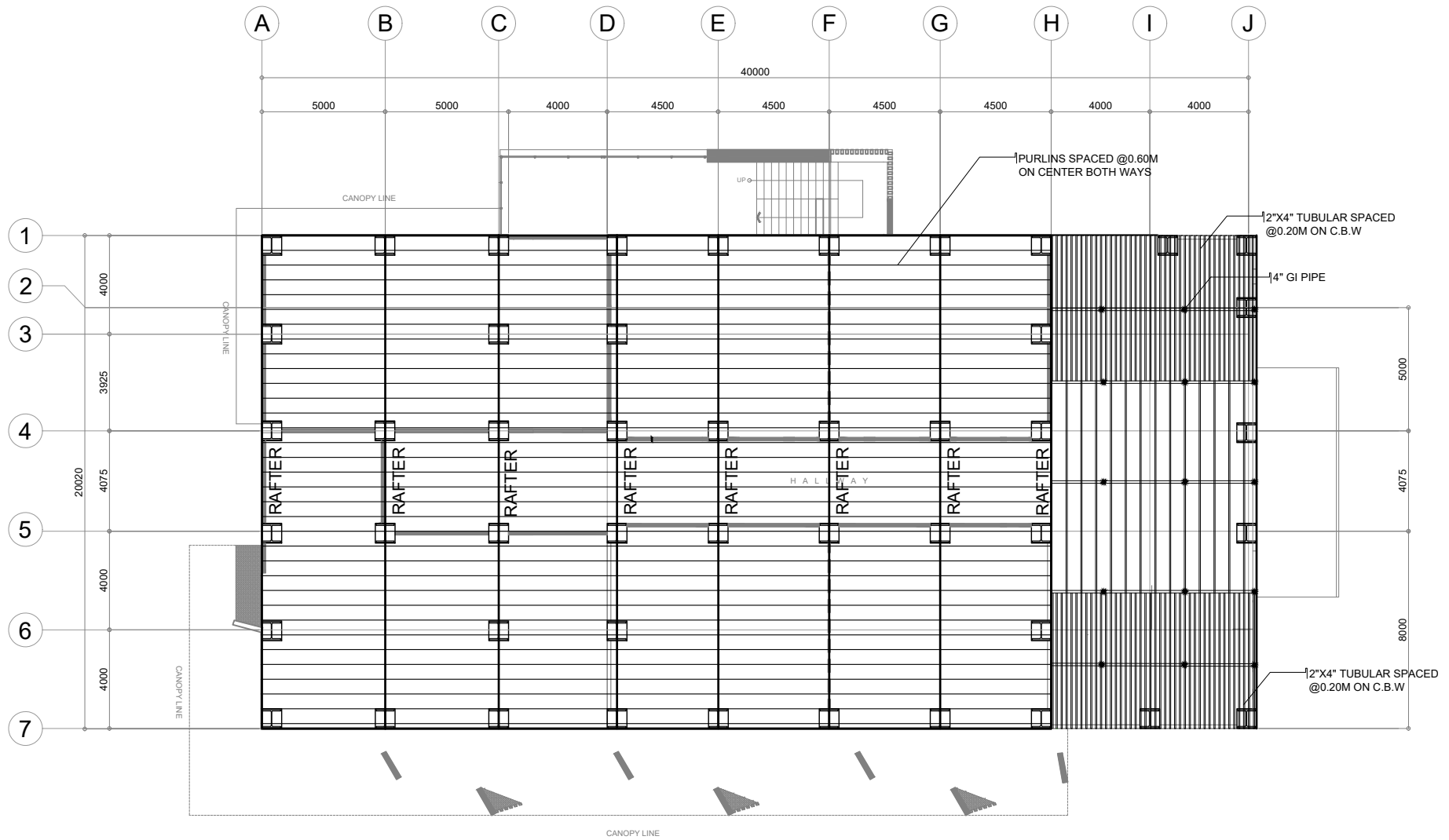


REP. ACT 9266 SEC. 33 DRAWINGS AND COPIES THEREOF, AS INSTRUMENTS OF SERVICE, ARE THE PROPERTY OF THE ARCHITECT. WHETHER THE WORK FOR WHICH THEY ARE MADE, BE EXECUTED OR NOT, AND NOT TO BE REPRODUCED OR USED ON OTHER WORK EXCEPT BY WRITTEN AGREEMENT WITH THE ARCHITECT.	<b>ARCHITECT:</b> _____ Architect	<b>PROJECT TITLE:</b> <b>CONSTRUCTION OF COLLEGE OF BUSINESS, ACCOUNTANCY AND TECHNOPRENEURSHIP BUILDING</b>	<b>PREPARED BY:</b> _____ FAYE MICHELLE A. BANIAGO AutoCAD Operator	<b>REVIEWED BY:</b> _____ ARCH. HANNAH FAITH P. MORTA, <u>uap</u> Director, IPPDO	<b>SHEET CONTENT:</b> AS SHOWN	<b>SHEET NO.:</b> ○
	<b>LOCATION:</b> ROMBLON STATE UNIVERSITY-MAIN CAMPUS	<b>REV.:</b>	<b>CHECKED BY:</b> _____ ENGR. NOEL M. TIANGA JR. Unit Head, PPDU-IPPDO	<b>APPROVED BY:</b> _____ MERIAN P. CATAJAY-MANI Ed. D., CESE Romblon State University President		


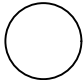


○
**ROOF BEAM FRAMING PLAN**  
 SCALE 1:170

	REP. ACT 9266 SEC. 33  <small>DRAWINGS AND COPIES THEREOF, AS INSTRUMENTS OF SERVICE, ARE THE PROPERTY OF THE ARCHITECT, WHETHER THE WORK FOR WHICH THEY ARE MADE, BE EXECUTED OR NOT, AND NOT TO BE REPRODUCED OR USED ON OTHER WORK EXCEPT BY WRITTEN AGREEMENT WITH THE ARCHITECT.</small>	<b>ARCHITECT:</b>  _____ Architect	<b>PROJECT TITLE:</b>  <b>CONSTRUCTION OF COLLEGE OF BUSINESS, ACCOUNTANCY AND TECHNOPRENEURSHIP BUILDING</b>	<b>PREPARED BY:</b>  _____ FAYE MICHELLE A. BANIAGO <small>AutoCAD Operator</small>	<b>REVIEWED BY:</b>  _____ ARCH. HANNAH FAITH P. MORTA, uap <small>Director, IPPDO</small>	<b>SHEET CONTENT:</b>  AS SHOWN	<b>SHEET NO.:</b>  ○
	<b>PRC REG. No. :</b> _____ <b>Validity :</b> _____ <b>PTR No. :</b> _____ <b>Date :</b> _____ <b>Place :</b> _____ <b>TIN :</b> _____	<b>LOCATION: ROMBLON STATE UNIVERSITY-MAIN CAMPUS</b> <b>REV.:</b> _____	<b>CHECKED BY:</b>  _____ ENGR. NOEL M. TIANGA JR. <small>Unit Head, PPDU-IPPDO</small>	<b>APPROVED BY:</b>  _____ MERIAN P. CATAJAY-MAN Ed. D., CESE <small>Romblon State University President</small>			



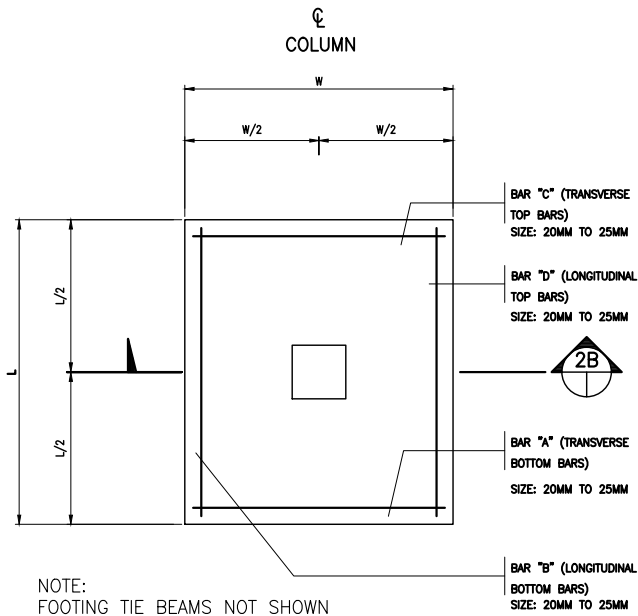

**ROOF FRAMING PLAN**  
 SCALE 1:170

	REP. ACT 9266 SEC. 33  <small>DRAWINGS AND COPIES THEREOF, AS INSTRUMENTS OF SERVICE, ARE THE PROPERTY OF THE ARCHITECT. WHETHER THE WORK FOR WHICH THEY ARE MADE, BE EXECUTED OR NOT, AND NOT TO BE REPRODUCED OR USED ON OTHER WORK EXCEPT BY WRITTEN AGREEMENT WITH THE ARCHITECT.</small>	<b>ARCHITECT:</b>  _____ <small>Architect</small>	<b>PROJECT TITLE:</b>  <b>CONSTRUCTION OF COLLEGE OF BUSINESS, ACCOUNTANCY AND TECHNOPRENEURSHIP BUILDING</b>	<b>PREPARED BY:</b>  <u>FAYE MICHELLE A. BANIAGO</u> <small>AutoCAD Operator</small>	<b>REVIEWED BY:</b>  <u>ARCH. HANNAH FAITH P. MORTA, uap</u> <small>Director, IPPDO</small>	<b>SHEET CONTENT:</b>  AS SHOWN	<b>SHEET NO.:</b>  
	<b>PRC REG. No. :</b> _____ <b>Validity :</b> _____ <b>PTR No. :</b> _____ <b>Date :</b> _____ <b>Place :</b> _____ <b>TIN :</b> _____	<b>LOCATION: ROMBLON STATE UNIVERSITY-MAIN CAMPUS</b> <b>REV.:</b> _____	<b>CHECKED BY:</b>  <u>ENGR. NOEL M. TIANGA JR.</u> <small>Unit Head, PPDU-IPPDO</small>	<b>APPROVED BY:</b>  <u>MERIAN P. CATAJAY-MAN Ed. D., CESE</u> <small>Romblon State University President</small>			

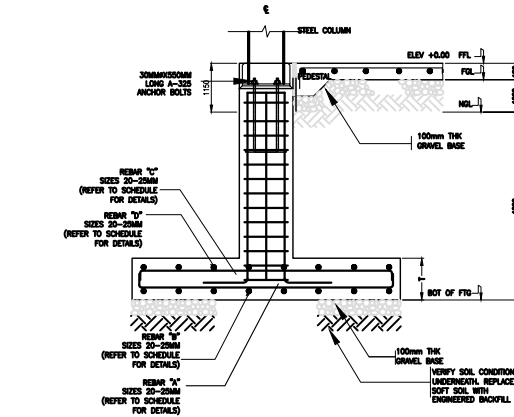


# SCHEDULE OF FOOTINGS

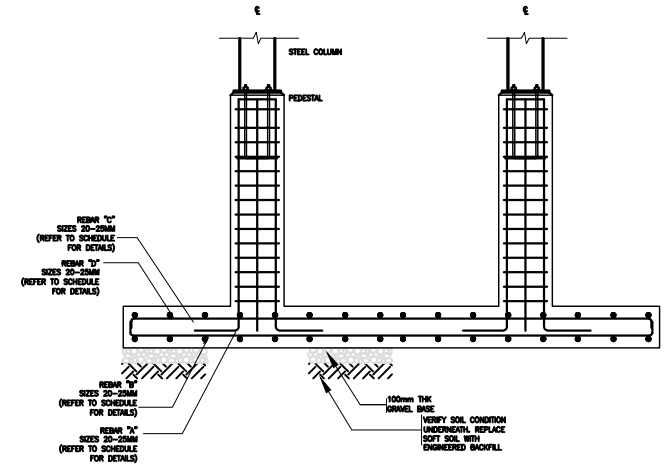
FOOTING DESIG.	DIMENSIONS (mm)				REINFORCEMENT (mm)				CANOPY LINE REMARKS
	D DEPTH	L LENGTH	W WIDTH	T THICKNESS	BAR "A"	BAR "B"	BAR "C"	BAR "D"	
F1	2500	2600	2600	500	20φ@230	20φ@230	20φ@230	20φ@230	ISOLATED
CF1	2500	4500	2400	500	20φ@230	20φ@230	20φ@230	20φ@230	COMBINED FOOTING
CF2	2500	6150	2400	500	20φ@245	20φ@245	20φ@245	20φ@245	COMBINED FOOTING
CF3	2500	21200	4000	500	20φ@125	20φ@125	20φ@245	20φ@245	COMBINED FOOTING



**TYP. FOOTING PLAN**  
NO TO SCALE



**TYP. FOOTING SECTION**  
NO TO SCALE

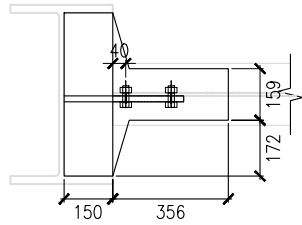


**TYP. COMBINED FOOTING SECTION**  
NO TO SCALE

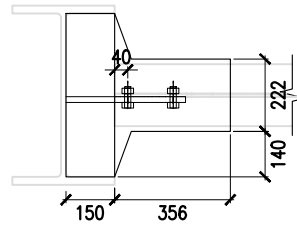
	REP. ACT 9266 SEC. 33 DRAWINGS AND COPIES THEREOF, AS INSTRUMENTS OF SERVICE, ARE THE PROPERTY OF THE ARCHITECT. WHETHER THE WORK FOR WHICH THEY ARE MADE, BE EXECUTED OR NOT, AND NOT TO BE REPRODUCED OR USED ON OTHER WORK EXCEPT BY WRITTEN AGREEMENT WITH THE ARCHITECT.	<b>ARCHITECT:</b> _____ Architect	<b>PROJECT TITLE:</b> <p style="text-align: center;"><b>CONSTRUCTION OF COLLEGE OF BUSINESS, ACCOUNTANCY AND TECHNOPRENURSHIP BUILDING</b></p>	<b>PREPARED BY:</b> _____ FAYE MICHELLE A. BANIAGO <small>AutoCAD Operator</small>	<b>REVIEWED BY:</b> _____ ARCH. HANNAH FAITH P. MORTA, uap <small>Director, IPPDO</small>	<b>SHEET CONTENT:</b> AS SHOWN	<b>SHEET NO.:</b> <div style="text-align: center; border: 1px solid black; width: 30px; height: 30px; margin: 0 auto;"></div>
	PRC REG. No. : _____ PTR No. : _____ Place : _____	Validity : _____ Date : _____ TIN : _____	<b>LOCATION: ROMBLON STATE UNIVERSITY-MAIN CAMPUS</b>	<b>REV.:</b> _____ ENGR. NOEL M. TIANGA JR. <small>Unit Head, PPDU-IPPDO</small>	<b>APPROVED BY:</b> _____ MERIAN P. CATAJAY-MAN Ed. D., CESE <small>Romblon State University President</small>		



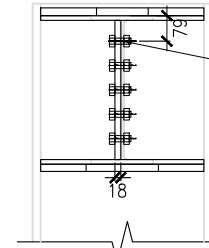
Top view



Bottom view



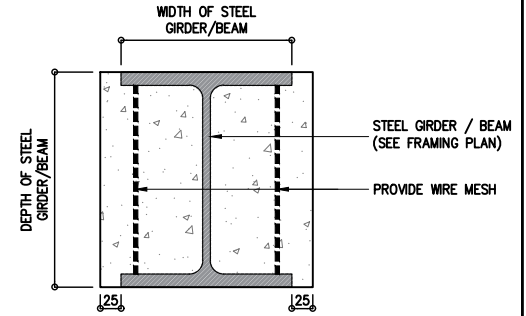
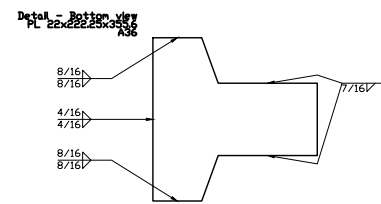
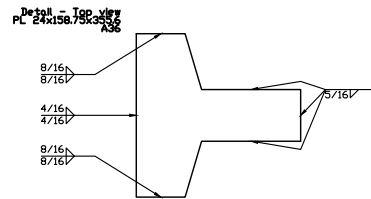
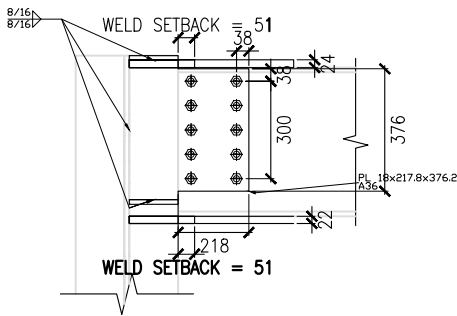
Front view



Top view

10 Bolts: 3/4" A325 N.  
Hole type (connector) STD  
Hole type (main) STD

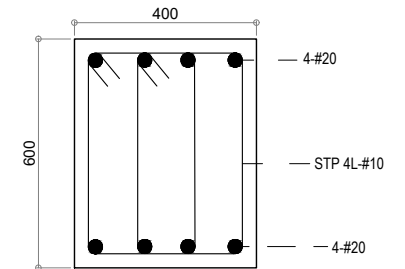
Lateral view



TYP. COMPOSITE/BEAM DETAILS

NTS

BEAM COLUMN WEB CONNECTION



FTB-1

## SCHEDULE OF BEAMS

(C28:Fy414)

BEAM NUMBERS	SIZE		BOTTOM REINFORCEMENT			TOP REINFORCEMENT			SHEAR STIRRUPS			SFR	DIAGONAL	REMARKS
	B	D	LEFT	MID SPAN	RIGHT	LEFT	MID SPAN	RIGHT	LEFT	MID SPAN	RIGHT			
FTB - 1	400	600	4-#20	4-#20	4-#20	4-#20	4-#20	4-#20	4L-#10@120C/C	-	4L-#10@120C/C	-	-	-



REP. ACT 9266 SEC. 33  
DRAWINGS AND COPIES THEREOF, AS INSTRUMENTS OF SERVICE, ARE THE PROPERTY OF THE ARCHITECT. WHETHER THE WORK FOR WHICH THEY ARE MADE, BE EXECUTED OR NOT, AND NOT TO BE REPRODUCED OR USED ON OTHER WORK EXCEPT BY WRITTEN AGREEMENT WITH THE ARCHITECT.

**ARCHITECT:**  
\_\_\_\_\_  
Architect  
PRC REG. No. : \_\_\_\_\_ Validity : \_\_\_\_\_  
PTR No. : \_\_\_\_\_ Date : \_\_\_\_\_  
Place : \_\_\_\_\_ TIN : \_\_\_\_\_

**PROJECT TITLE:**  
**CONSTRUCTION OF COLLEGE OF BUSINESS, ACCOUNTANCY AND TECHNOPRENEURSHIP BUILDING**  
**LOCATION: ROMBLON STATE UNIVERSITY-MAIN CAMPUS**

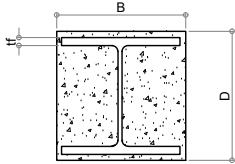
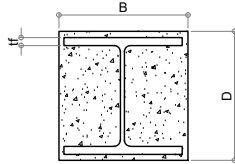
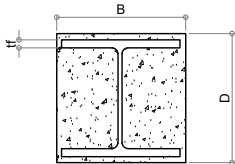
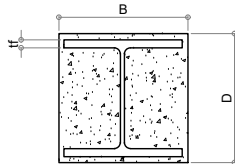
**PREPARED BY:**  
\_\_\_\_\_  
FAYE MICHELLE A. BANIAGO  
AutoCAD Operator  
**CHECKED BY:**  
\_\_\_\_\_  
ENGR. NOEL M. TIANGA JR.  
Unit Head, PPDU-IPDDO

**REVIEWED BY:**  
\_\_\_\_\_  
ARCH. HANNAH FAITH P. MORTA, uap  
Director, IPPDO  
**APPROVED BY:**  
\_\_\_\_\_  
MERIAN P. CATAJAY-MAN Ed. D., CESE  
Romblon State University President

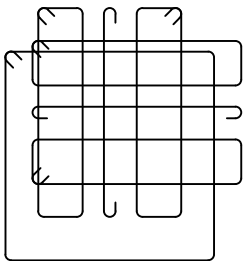
**SHEET CONTENT:**  
AS SHOWN

**SHEET NO.:**  
○

# SCHEDULE OF STEEL COLUMNS

LOCATION	C - 1				C - 2			
FOUNDATION TO SECOND	 W14X43				 W14X48			
	D (in)	B (in)	tf (in)	tw (in)	D (in)	B (in)	tf (in)	tw (in)
	13.9	9.99	0.645	0.375	13.8	8.03	0.595	0.34
SECOND TO ROOF	 W14X43				 W14X48			
	D (in)	B (in)	tf (in)	tw (in)	D (in)	B (in)	tf (in)	tw (in)
	13.8	8.03	0.595	0.34	14	6.75	0.455	0.285

C28 : Fy414 , COVER = 40MM  
CONFINING ZONE = FULL HEIGHT

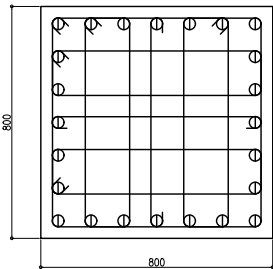


0M

TO

1.8M

Z1 MAIN LINK	Z1 OTHERS	Z2 LINKS
#10 @ 100	#10 @ 100	---



Ø #20

24-#20

C1 - C2

COLUMN MARKED

## COLUMN AND WALL SCHEDULE

(SCALE 1:25)

### NOTES:

1. BE = BOUNDARY ELEMENT AS PER ACI 318. PROVIDE CONFINING REINFORCEMENT ACROSS ENTIRE HEIGHT OF WALL IN THE BOUNDARY ELEMENT
2. Z1 = SPECIAL CONFINING ZONE AS PER ACI 318, Z2 = REMAINING ZONES AS PER ACI 318



REP. ACT 9266 SEC. 33

DRAWINGS AND COPIES THEREOF, AS INSTRUMENTS OF SERVICE, ARE THE PROPERTY OF THE ARCHITECT, WHETHER THE WORK FOR WHICH THEY ARE MADE BE EXECUTED OR NOT, AND NOT TO BE REPRODUCED OR USED ON OTHER WORK EXCEPT BY WRITTEN AGREEMENT WITH THE ARCHITECT.

ARCHITECT:	
_____ Architect	
PRC REG. No. :	Validity :
PTR No. :	Date :
Place :	TIN :

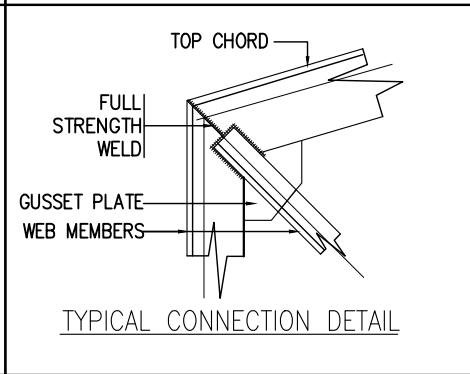
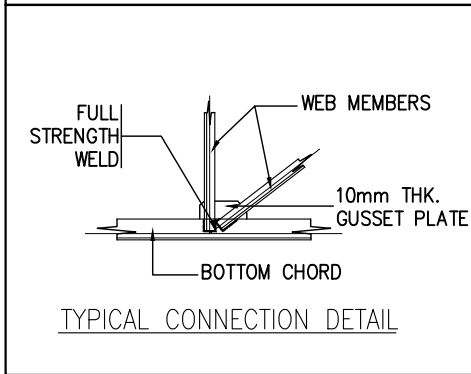
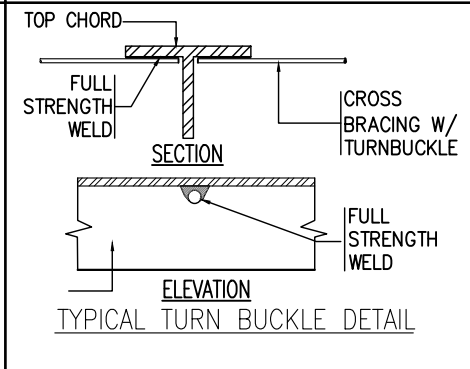
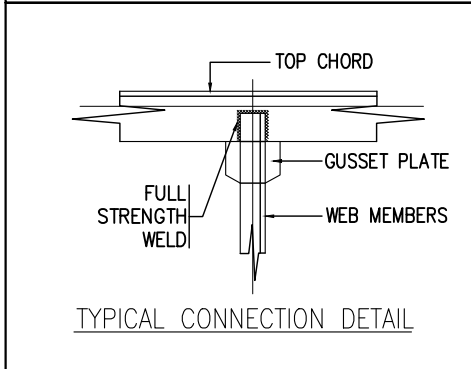
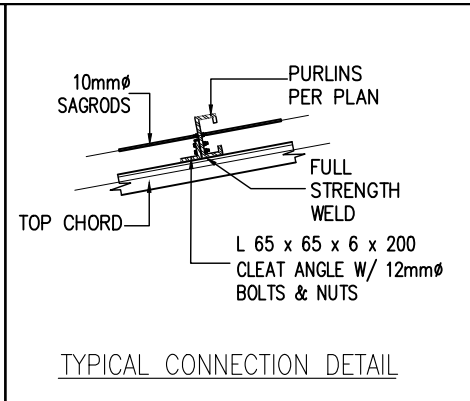
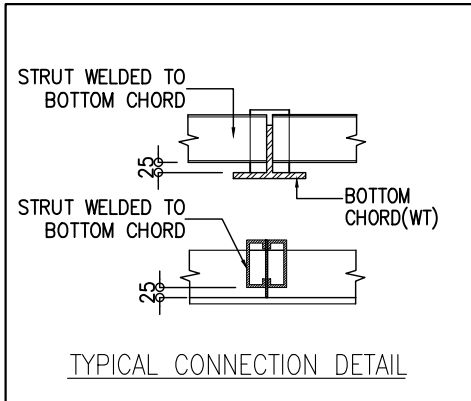
PROJECT TITLE:	
CONSTRUCTION OF COLLEGE OF BUSINESS, ACCOUNTANCY AND TECHNOPRENEURSHIP BUILDING	
LOCATION: ROMBLON STATE UNIVERSITY-MAIN CAMPUS	REV.:

PREPARED BY:
_____ FAYE MICHELLE A. BANIAGO AutoCAD Operator
CHECKED BY:
_____ ENGR. NOEL M. TIANGA JR. Unit Head, PPDU-IPPDO

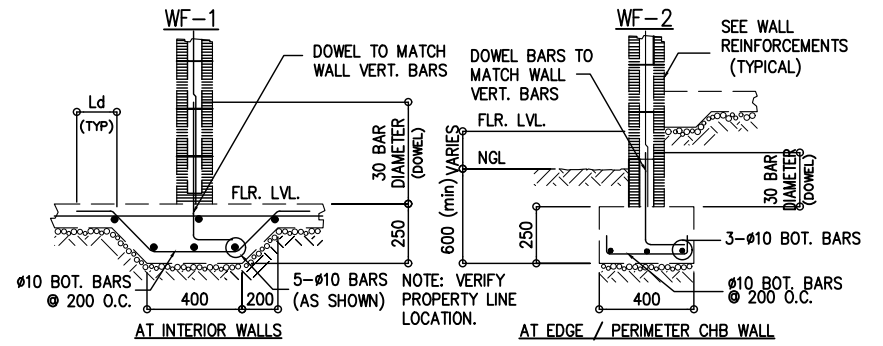
REVIEWED BY:
_____ ARCH. HANNAH FAITH P. MORTA, uap Director, IPPDO
APPROVED BY:
_____ MERIAN P. CATAJAY-MAN Ed. D., CESE Romblon State University President

SHEET CONTENT:
AS SHOWN

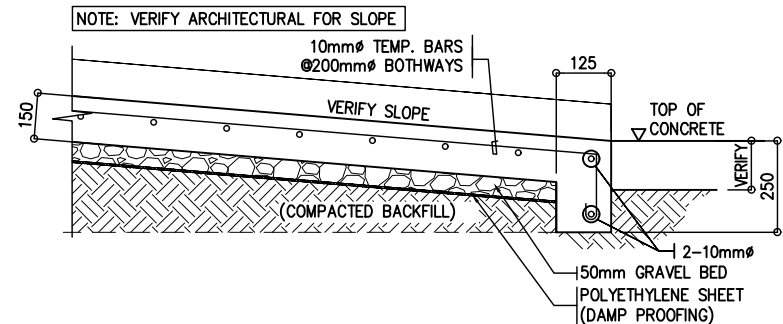
SHEET NO:
○



○ TYP. CONNECTION DETAILS  
NTS

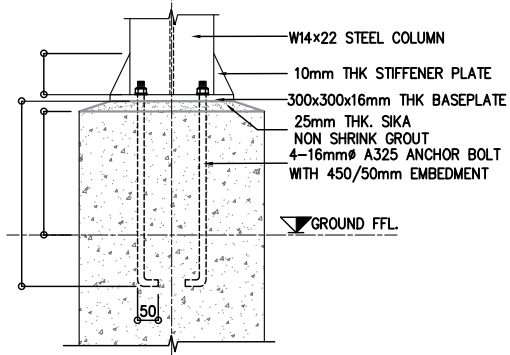
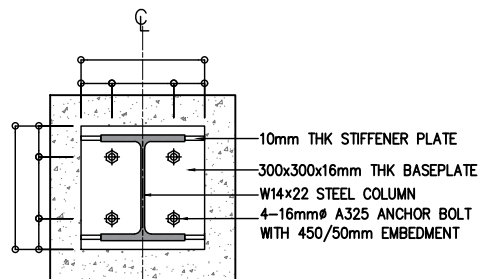


○ WALL FOOTING DETAILS  
NTS

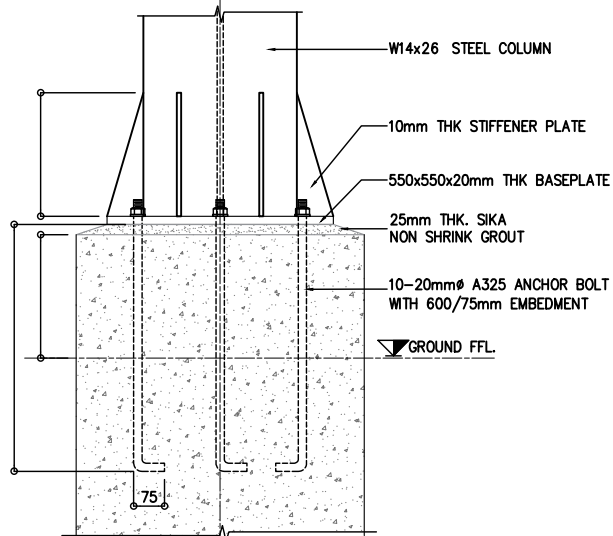
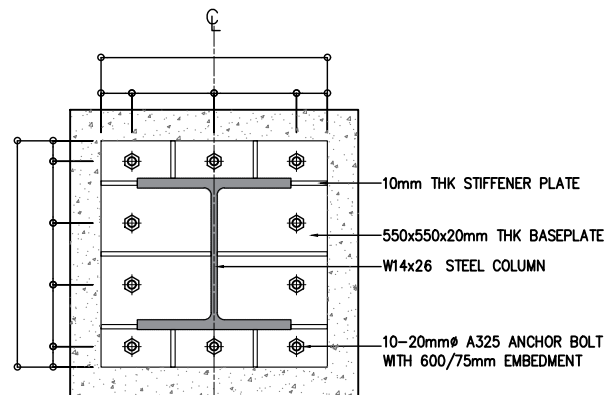


○ RAMP DETAILS  
NTS

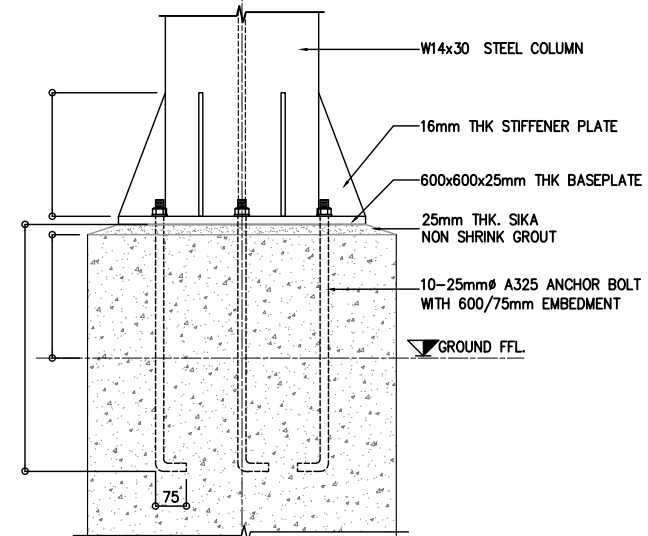
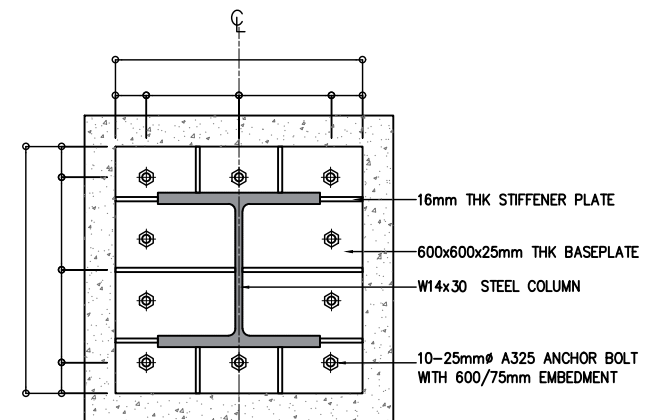
	REP. ACT 9266 SEC. 33 DRAWINGS AND COPIES THEREOF, AS INSTRUMENTS OF SERVICE, ARE THE PROPERTY OF THE ARCHITECT, WHETHER THE WORK FOR WHICH THEY ARE MADE, BE EXECUTED OR NOT, AND NOT TO BE REPRODUCED OR USED ON OTHER WORK EXCEPT BY WRITTEN AGREEMENT WITH THE ARCHITECT.	<b>ARCHITECT:</b> _____ Architect	<b>PROJECT TITLE:</b> <b>CONSTRUCTION OF COLLEGE OF BUSINESS, ACCOUNTANCY AND TECHNOPRENEURSHIP BUILDING</b>	<b>PREPARED BY:</b> _____ FAYE MICHELLE A. BANIAGO <small>AutoCAD Operator</small>	<b>REVIEWED BY:</b> _____ ARCH. HANNAH FAITH P. MORTA, uap <small>Director, IPPDO</small>	<b>SHEET CONTENT:</b> AS SHOWN	<b>SHEET NO.:</b> ○	
	<b>PRC REG. No. :</b> _____ <b>PTR No. :</b> _____ <b>Place :</b> _____	<b>Validity :</b> _____ <b>Date :</b> _____ <b>TIN :</b> _____	<b>LOCATION: ROMBLON STATE UNIVERSITY-MAIN CAMPUS</b>	<b>REV.:</b> _____	<b>CHECKED BY:</b> _____ ENGR. NOEL M. TIANGA JR. <small>Unit Head, PPDU-IPPDO</small>	<b>APPROVED BY:</b> _____ MERIAN P. CATAJAY-MANI Ed. D., CESE <small>Romblon State University President</small>		



BP-1  
CONNECTION DETAILS  
NTS



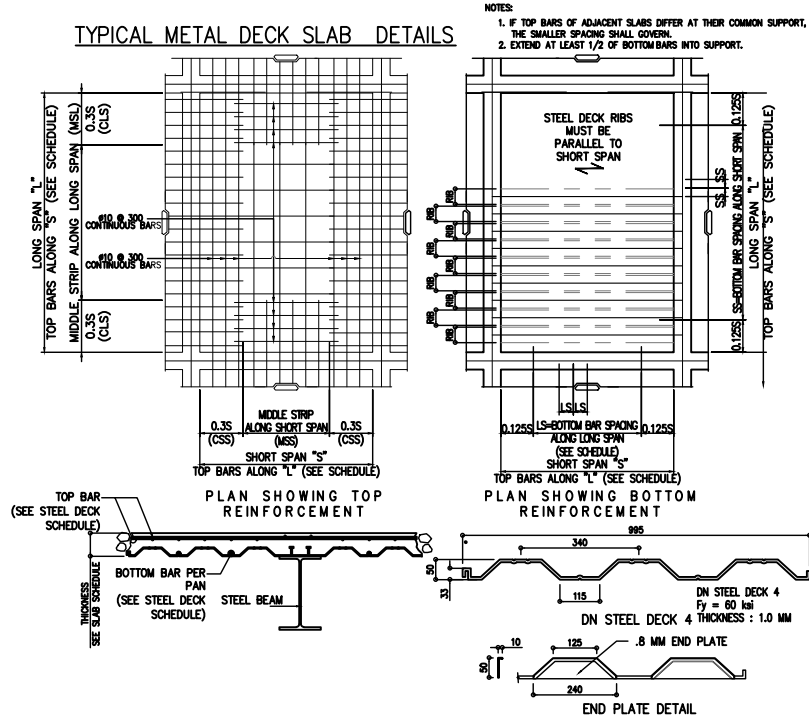
BP-2  
CONNECTION DETAILS  
NTS



BP-3  
CONNECTION DETAILS  
NTS

	REP. ACT 9266 SEC. 33	ARCHITECT:	PROJECT TITLE:	PREPARED BY:	REVIEWED BY:	SHEET CONTENT:	SHEET NO.:
	DRAWINGS AND COPIES THEREOF, AS INSTRUMENTS OF SERVICE, ARE THE PROPERTY OF THE ARCHITECT. WHETHER THE WORK FOR WHICH THEY ARE MADE, BE EXECUTED OR NOT, AND NOT TO BE REPRODUCED OR USED ON OTHER WORK EXCEPT BY WRITTEN AGREEMENT WITH THE ARCHITECT.	_____ Architect	CONSTRUCTION OF COLLEGE OF BUSINESS, ACCOUNTANCY AND TECHNOPRENEURSHIP BUILDING	_____ FAYE MICHELLE A. BANIAGO AutoCAD Operator	_____ ARCH. HANNAH FAITH P. MORTA, uap Director, IPPDO	AS SHOWN	
	PRC REG. No. : PTR No. : Place :	Validity : Date : TIN :	LOCATION: ROMBLON STATE UNIVERSITY-MAIN CAMPUS	CHECKED BY:	APPROVED BY:		
			REV.:	_____ ENGR. NOEL M. TIANGA JR. Unit Head, PPDU-IPPDO	_____ MERIAN P. CATAJAY-MAN Ed. D., CESE Romblon State University President		

### TYPICAL METAL DECK SLAB DETAILS



SLAB SCHEDULE					
NAME	TOTAL THK	CONTINUOUS TOP BARS	ADDITIONAL TOP BARS	BOT BARS PER SPAN	REMARKS
SD-1	125	#10mm @ 200mm	6-#10mm PER SPAN (2,2,2)	1-#10mm PER CONTINUOUS	TYPICAL

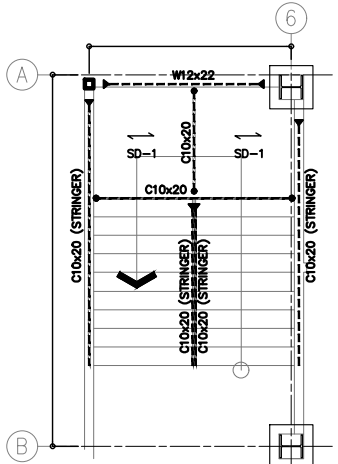
### STEEL DECK DETAILS

PLATE THICKNESS, t (MM)	WELD SIZE, S (MM)		SCALLOP NOTCH (MM)
	T JOINTS	LAP JOINTS	R
LESS THAN 6	S = t	S = t	25
6 TO 8	6	4	25
9 TO 11	6	6	25
12 TO 15	9	9	35
16 TO 18	9	9	35
19 OR OVER	12	12	35

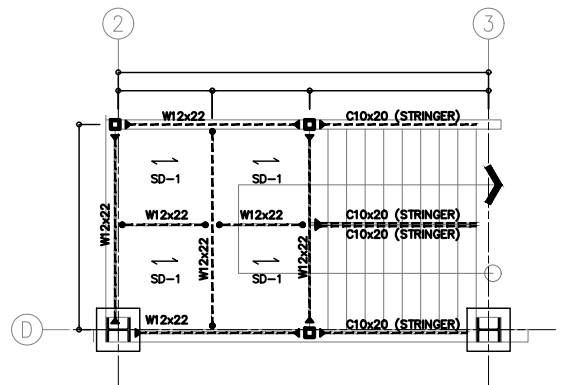
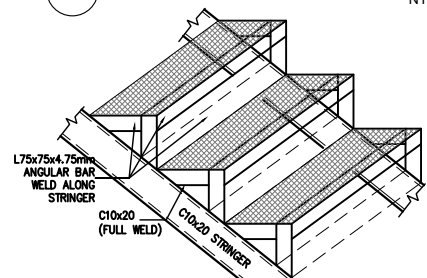
NOTE: UNLESS OTHERWISE SPECIFIED, SIZE OF FILLET WELDS SHALL BE PROVIDED AS SHOWN ABOVE. THE WELD SIZE NEED NOT EXCEED THE THICKNESS OF THE THINNER MATERIAL BEING JOINT.

NOTE: ALL WELDED STUDS SHALL BE 20MM. WELDED STUDS ARE EQUALLY SPACED UNLESS OTHERWISE NOTED ON PLANS. IF EQUAL SPACING IS NOT POSSIBLE DUE TO DECK CONFIGURATION, THE STRUCTURAL ENGINEER MUST BE NOTIFIED. ALL SHEAR STUDS SHALL CONFORM TO ASTM A108, AND BE EQUAL TO NELSON

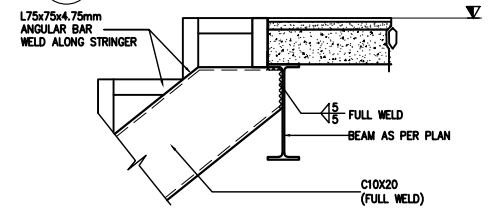
### WELD TABLE



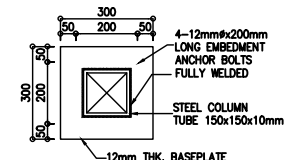
### STAIR PLAN VIEW DETAILS



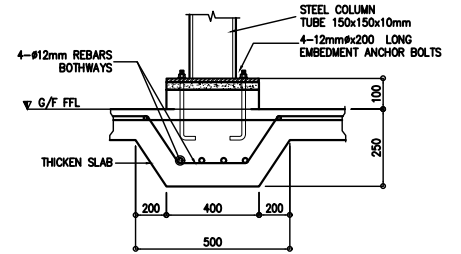
### STAIR PLAN VIEW DETAILS



### SPOT DETAILS



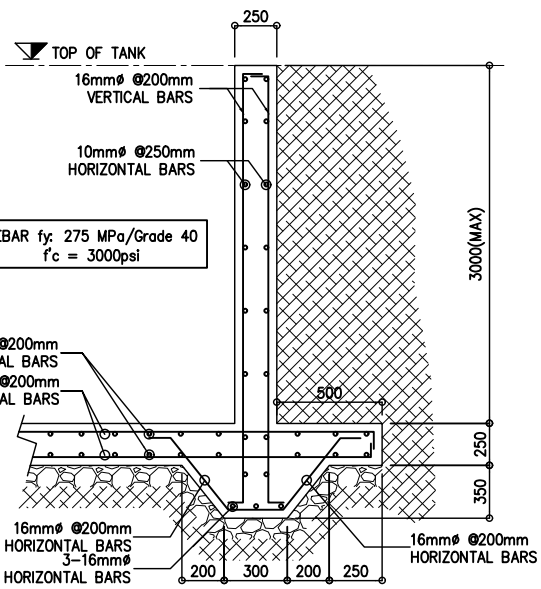
### BASEPLATE



### STAIR COLUMN TO CONCRETE CONNECTION DETAILS

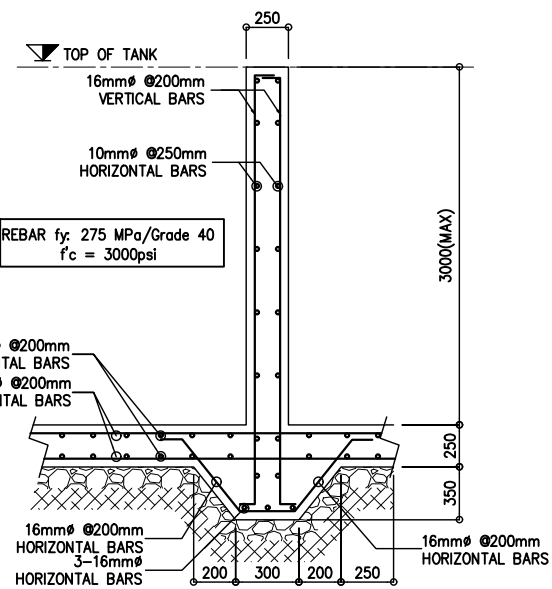


REP. ACT 9266 SEC. 33 DRAWINGS AND COPIES THEREOF, AS INSTRUMENTS OF SERVICE, ARE THE PROPERTY OF THE ARCHITECT, WHETHER THE WORK FOR WHICH THEY ARE MADE, BE EXECUTED OR NOT, AND NOT TO BE REPRODUCED OR USED ON OTHER WORK EXCEPT BY WRITTEN AGREEMENT WITH THE ARCHITECT.	ARCHITECT: _____ Architect	PROJECT TITLE: CONSTRUCTION OF COLLEGE OF BUSINESS, ACCOUNTANCY AND TECHNO-RENEWAL BUILDING	PREPARED BY: FAYE MICHELLE A. BANIAGO AutoCAD Operator	REVIEWED BY: ARCH. HANNAH FAITH P. MORTA, uap Director, IPPDO	SHEET CONTENT: AS SHOWN	SHEET NO.: _____	
	PRC REG. No. : _____ PTR No. : _____ Place : _____	Validity : _____ Date : _____ TIN : _____	LOCATION: ROMBLON STATE UNIVERSITY-MAIN CAMPUS	CHECKED BY: ENGR. NOEL M. TIANGA JR. Unit Head, PPDU-IPPDO	APPROVED BY: MERIAN P. CATAJAY-MAN Ed. D., CESE Romblon State University President		



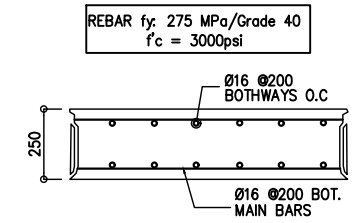
REBAR fy: 275 MPa/Grade 40  
f'c = 3000psi

SPOT DETAILS  
NTS

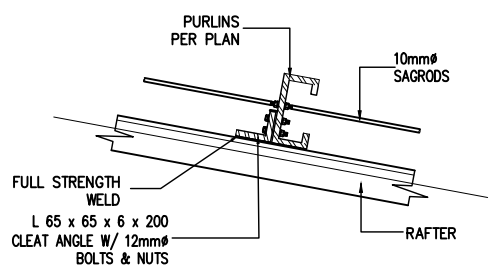


REBAR fy: 275 MPa/Grade 40  
f'c = 3000psi

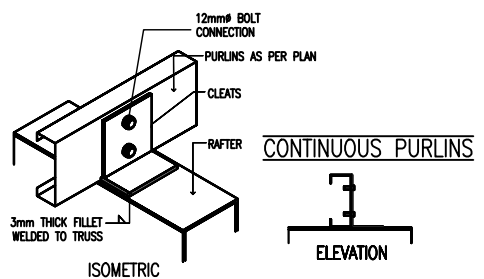
SPOT DETAILS  
NTS



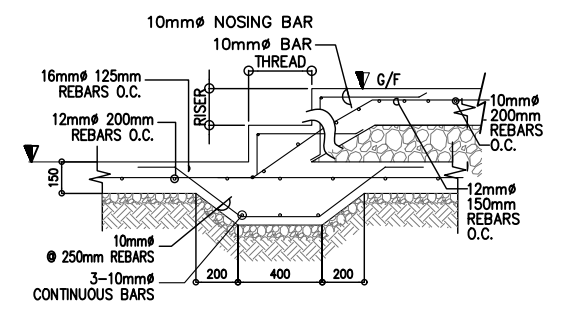
FOOTING  
TANK SLAB DETAILS  
NTS



SAGROD TO PURLINS  
CONNECTION DETAILS  
NTS



PURLIN TO RAFTER DETAILS  
NTS



STAIRS ON  
GROUND DETAILS  
NTS



REP. ACT 9266 SEC. 33  DRAWINGS AND COPIES THEREOF, AS INSTRUMENTS OF SERVICE, ARE THE PROPERTY OF THE ARCHITECT, WHETHER THE WORK FOR WHICH THEY ARE MADE, BE EXECUTED OR NOT, AND NOT TO BE REPRODUCED OR USED ON OTHER WORK EXCEPT BY WRITTEN AGREEMENT WITH THE ARCHITECT.	<b>ARCHITECT:</b>  _____ Architect	<b>PROJECT TITLE:</b>  <b>CONSTRUCTION OF COLLEGE OF BUSINESS, ACCOUNTANCY AND TECHNO-RENEURSHIP BUILDING</b>	<b>PREPARED BY:</b>  <u>FAYE MICHELLE A. BANIAGO</u> <small>AutoCAD Operator</small>	<b>REVIEWED BY:</b>  <u>ARCH. HANNAH FAITH P. MORTA, uap</u> <small>Director, IPPDO</small>	<b>SHEET CONTENT:</b>  AS SHOWN	<b>SHEET NO.:</b>  	
	PRC REG. No. : _____ PTR No. : _____ Place : _____	Validity : _____ Date : _____ TIN : _____	<b>LOCATION: ROMBLON STATE UNIVERSITY-MAIN CAMPUS</b>	<b>REV.:</b>  <u>ENGR. NOEL M. TIANGA JR.</u> <small>Unit Head, PPDU-IPDDO</small>	<b>APPROVED BY:</b>  <u>MERIAN P. CATAJAY-MANI Ed. D., CESE</u> <small>Romblon State University President</small>		