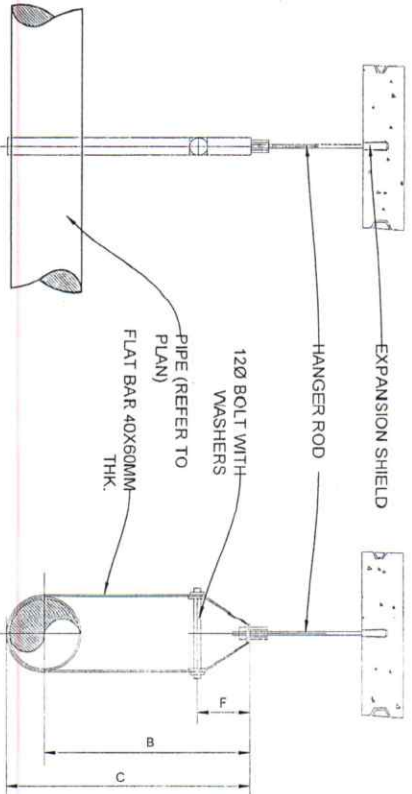


TABLE OF DIMENSION

PIPE SIZE	DIMENSION IN MILLIMETER (MM)			
	ROD DIA.	B	C	F (MAX)
50	10	110	140	22
65/80	12	125	163	30
100	16	155	240	50
150	19	180	255	50



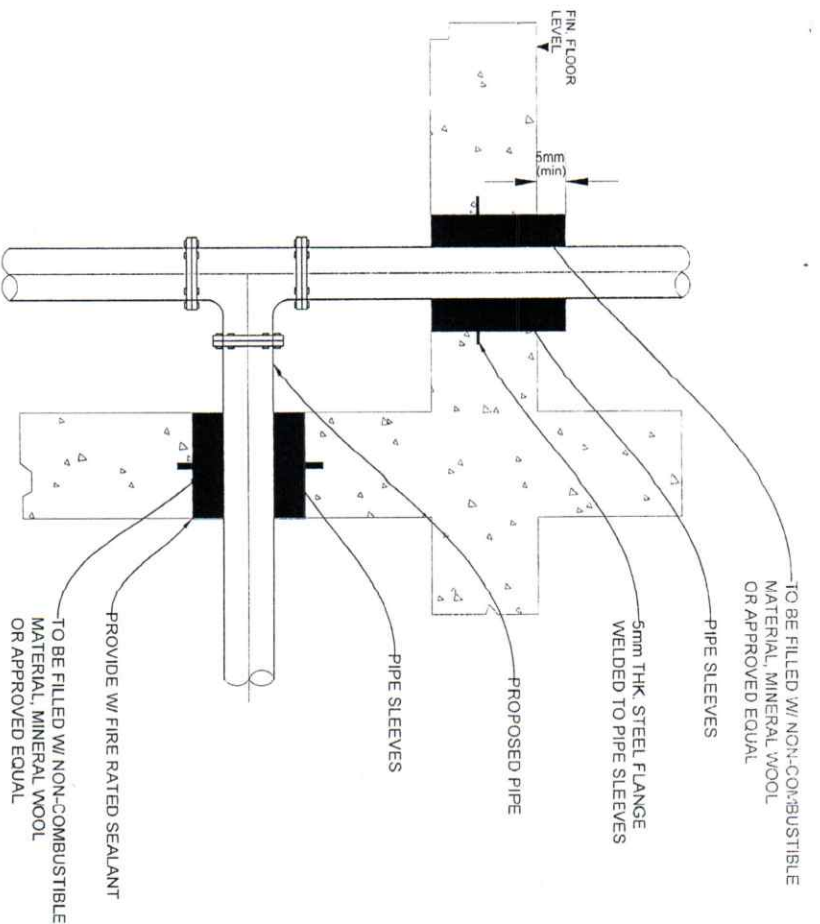
1 PIPE HANGER DETAILS

F-11 F-11

NTS.

SCHEDULE OF PIPE SLEEVES

SIZE OF BRANCHLINES	SIZE OF PIPE SLEEVES
25MM	50MM
32MM	50MM
40MM	65MM
50MM	75MM
65MM	100MM
75MM	100MM
100MM	150MM
150MM	225MM
200MM	300MM



NOTE:

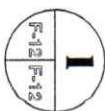
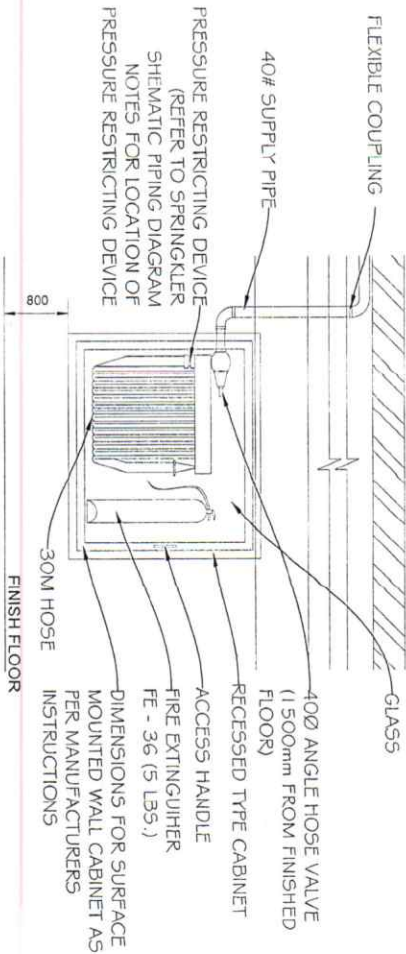
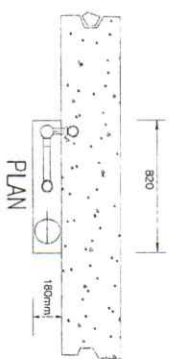
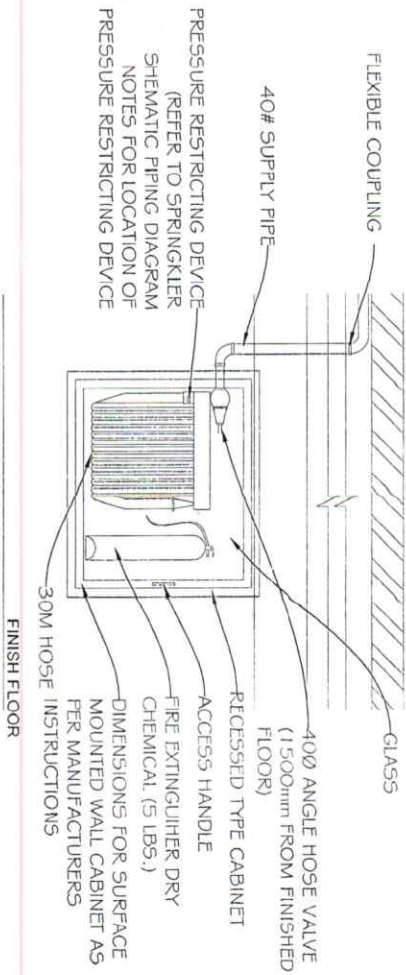
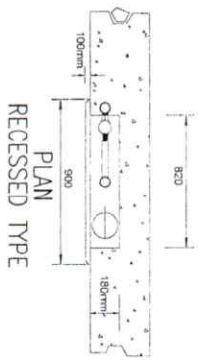
- SLEEVES SHALL BE PROVIDED AROUND ALL PIPING EXTENDING THROUGH WALLS, FLOORS, PLATFORMS AND FOUNDATIONS.
- THE CLEARANCE BETWEEN THE PIPE SLEEVES SHALL BE FILLED W/ NON-COMBUSTIBLE FLEXIBLE MATERIAL SUCH AS MINERAL WOOL, FIBER GLASS OR EQUIVALENT.
- MINIMUM CLEARANCE BETWEEN PIPE AND SLEEVES SHALL NOT BE LESS THAN 25MM FOR PIPE 25MM THROUGH 75MM & 40MM FOR PIPE SIZE 100MM AND LARGER FLOOR SLEEVES SHALL BE EXTENDED AT LEAST 75MM ABOVE THE TOP OF THE WEARING SURFACE.

2 PIPE SLEEVES DETAILS

F-11 F-11

NTS.

PREPARED BY: ROBILSON STATE UNIVERSITY OFFICE OF PHYSICAL PLANT AND FACILITIES	REVISIONS: <i>Pages B. in red ink</i>	CHECKED BY: <i>[Signature]</i>	PROJECT TITLE: REHABILITATION AND FURNISHING OF OLD/EXISTING UNIVERSITY LIBRARY LOCATION: ROBINSON STATE UNIVERSITY - Main Campus, Livestock, Olinburg, Robinson	SHEET CONTENT: AS SHOWN	PREPARED BY: CAD OPERATOR: BCSG / SLM JOB NO.: DATE:	F-11
---	--	-----------------------------------	---	-----------------------------------	--	------

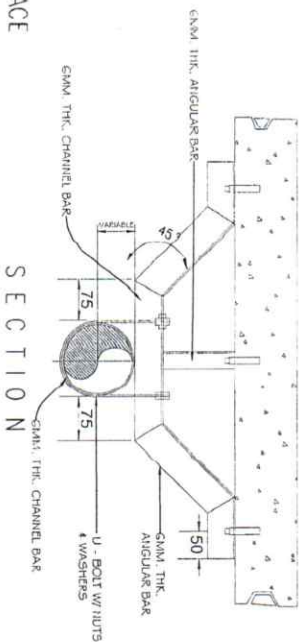
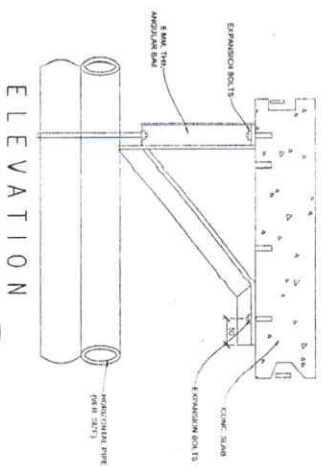
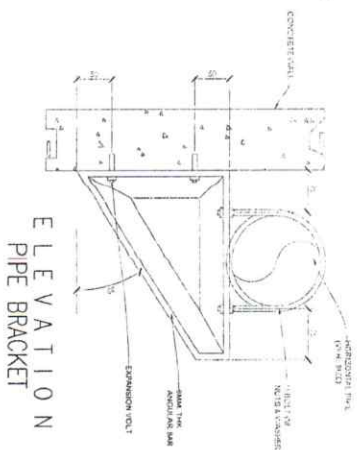
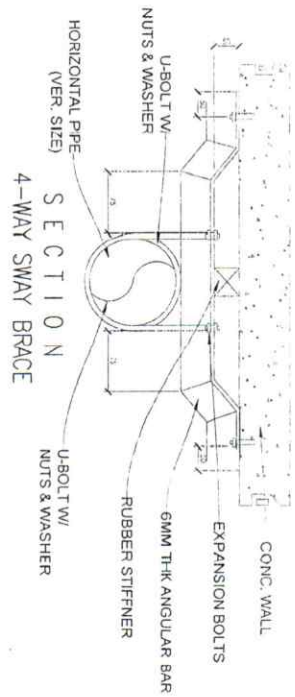


1 FIRE HOSE CABINET DETAILS

NTS.

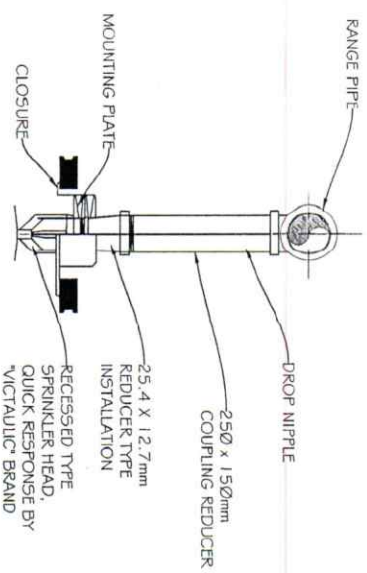
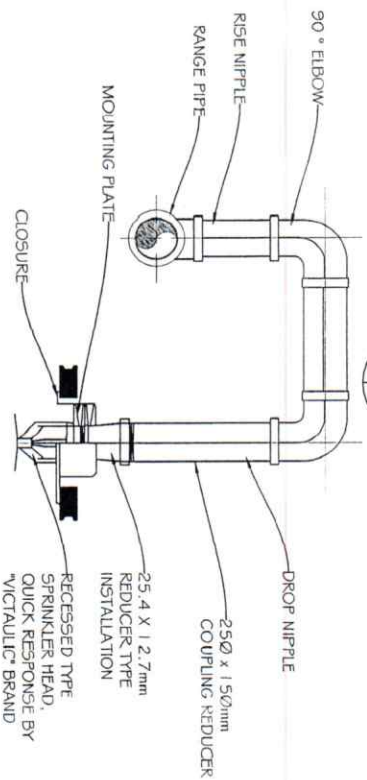
PREPARED BY: ROMBON STATE UNIVERSITY	MICROFILM ENGINEER <i>Moses B. Mante JA</i>	CHECKED BY: <i>HERNAN F. RUPON</i> HERNAN F. RUPON SITE DESIGNER	PROJECT TITLE: REHABILITATION AND FURNISHING OF OLD/EXISTING UNIVERSITY LIBRARY	SECTION: AS SHOWN	PREPARED BY: CAD OPERATOR: BSSC / SIM
OFFICE OF PHYSICAL PLANT AND FACILITIES	PRG REG No.:	APPROVED BY: <i>MIRANDA TAMAYAN/ANITA D. GUSE</i> MIRANDA TAMAYAN/ANITA D. GUSE SITE MANAGER	LOCATION: ROMBON STATE UNIVERSITY - Main Campus, Liranga, Odonggan, Zamboanga		DATE:
	DATE:				
	TIN:				
	Valid by:				





1 DETAILS OF SWAY BRACINGS

NTS.



2 PENDENT SPRINKLER HEAD DETAILS

NTS.

PREPARED BY:

ROMBION STATE UNIVERSITY

OFFICE OF PHYSICAL PLANT AND FACILITIES

MECHANICAL ENGINEER

W. A. ...

CHECKED BY:

...

PROJECT TITLE:

REHABILITATION AND FURNISHING OF OLD/EXISTING UNIVERSITY LIBRARY

SHEET CONTENT:

AS SHOWN

PREPARED BY:

CAD OPERATOR:

BSC / SIM

JOB NO.:

DATE:

PRG REG No.:	Validity:	REPORTS BY:	APPROVED BY:
DATE:	DATE:	MURRAY P.
FACE:	TIN:		

LOCATION: ROMBION STATE UNIVERSITY - Main Campus, Lingsang, Quezon, Bantayan

F-14