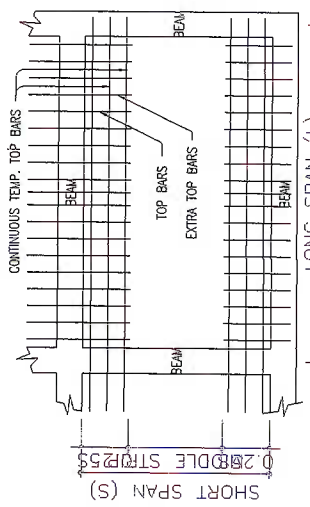
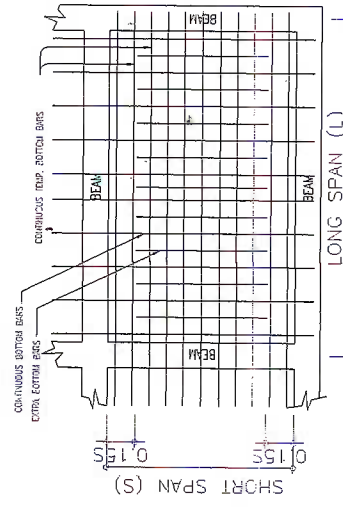


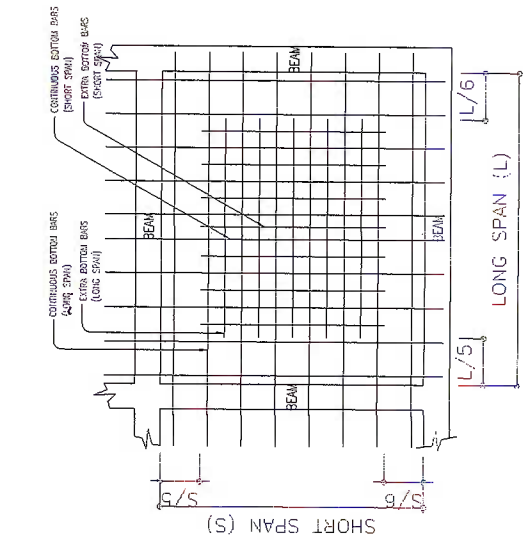
TYPICAL SLAB ELEVATION



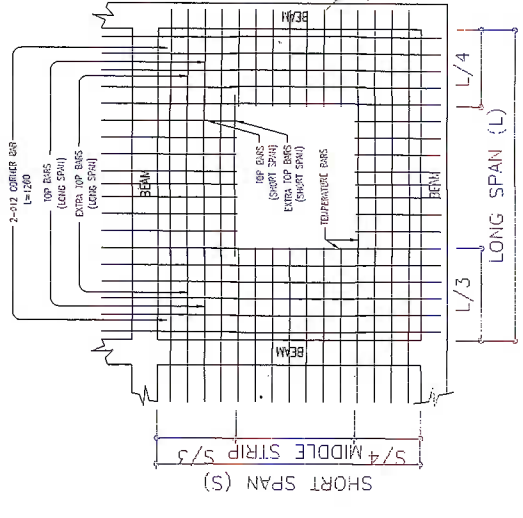
TYPICAL PLAN OF ONE WAY SLABS (TOP BAR REINFORCEMENT)



TYPICAL PLAN OF ONE WAY SLABS (BOTTOM BAR REINFORCEMENT)



TYPICAL PLAN OF TWO WAY SLABS (BOTTOM BAR REINFORCEMENT)



TYPICAL PLAN OF TWO WAY SLABS (TOP BAR REINFORCEMENT)

R. C. SLAB SCHEDULE

MARK	THICKNESS (mm)	REINFORCEMENT				REMARKS
		SHORT SPAN		LONG SPAN		
		TOP BARS	BOTTOM BARS	TOP BARS	BOTTOM BARS	
S-1	125	CONTINUOUS EDGE 910 @ 200	CONTINUOUS EDGE 910 @ 150	CONTINUOUS EDGE 910 @ 200	CONTINUOUS EDGE 910 @ 200	TEMP. BARS 910 @ 400
S-2	125	910 @ 200	910 @ 250	910 @ 250	910 @ 250	910 @ 500
S-3	125	910 @ 200	910 @ 200	910 @ 200	910 @ 200	910 @ 200

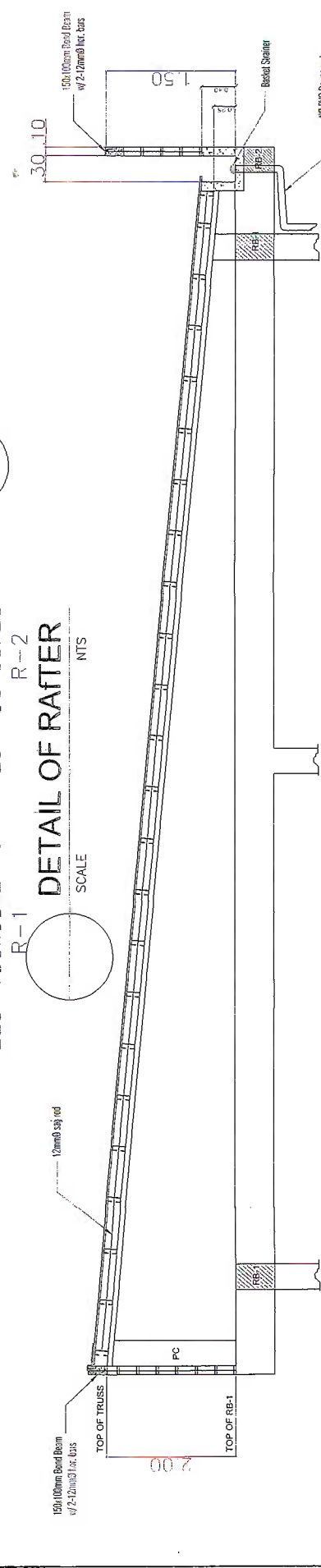
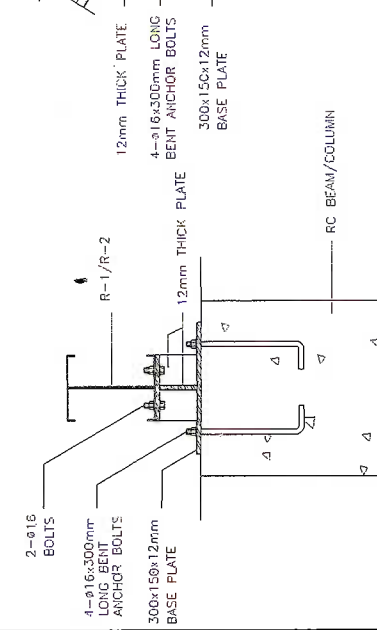
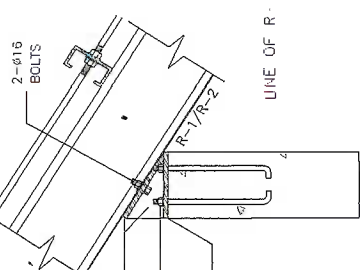
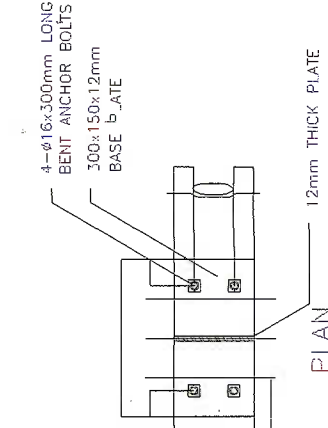
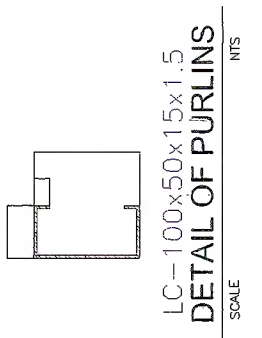
PREPARED BY: ROMBLON STATE UNIVERSITY
 OFFICE OF AUXILIARY, PLANT SERVICES AND POLLUTION CONTROL UNIT

PROJECT TITLE: **CONSTRUCTION OF EXTENSION AND TRAINING CENTER**
 LOCATION: ROMBLON STATE UNIVERSITY - Main Campus, Iwahig, Abangan, Romblon

SHEET CONTENT: AS SHOWN
 CHECKED BY: *[Signature]*
 APPROVED BY: *[Signature]*
 CIVIL ENGINEER: ISIDORO, SALMINGO
 PRC REG. No. 035622 Validity:

PREPARED BY: CAD OPERATOR: *[Signature]*
 JOB NO.:
 DATE: JUNE 2017

S-12



PREPARED BY: ROMBLON STATE UNIVERSITY OFFICE OF AUXILIARY, PLANT SERVICES AND POLLUTION CONTROL UNIT	CIVIL ENGINEER: ISIDORO SALMUNGO EPC REG. NO. 030582 Validity: PTR No.: 1795904 Date: 1-27-17 Place: SAN JOSE, ROMBLON TIN: 446-312-742-000	PROJECT TITLE: CONSTRUCTION OF EXTENSION AND TRAINING CENTER LOCATION: ROMBLON STATE UNIVERSITY - Ibaig Campus, Lavanag, Ibaiguan, Romblon	SHEET CONTENT: AS SHOWN	PREPARED BY: CAD OPERATOR: Newwelle Rotoni JOB NO.: DATE: JUNE 2017	
	CHECKED BY: JEROME ADOLFO P. PARIATO APPROVED BY: ARNOLD DE LUVA (Signature)				