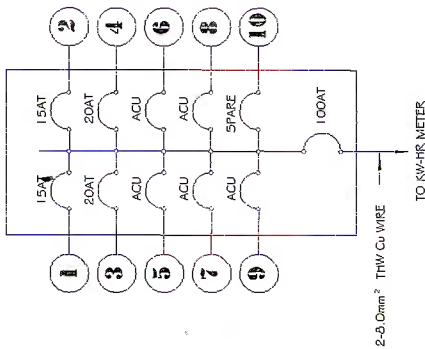
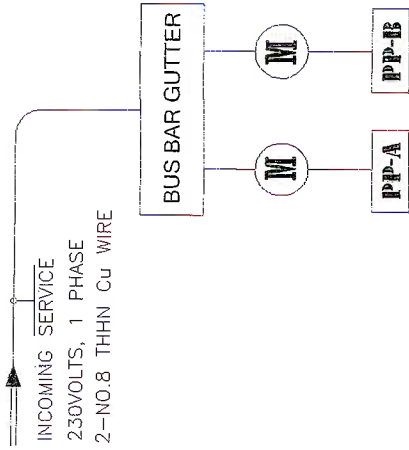


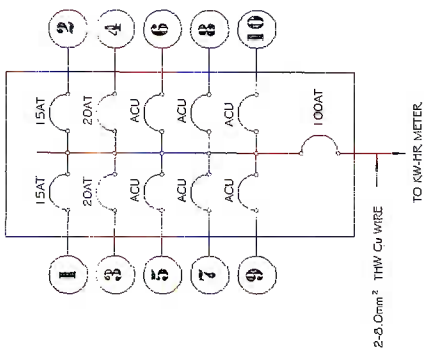
MAXIMUM POWER DEMAND = TOTAL COMPUTED LOAD X DEMAND FACTOR
 @ 80% B.F.
 = (21956 + 15156) 0.80
 = 29689.6 VA
 $I_t = \frac{29689.6}{230} = 129.08 \text{ Amps}$



1 PP-A CIRCUIT BREAKER DIAG.
 TO SCALE



3 LINE DIAGRAM
 SCALE MTS.



2 PP-B CIRCUIT BREAKER DIAG.
 TO SCALE

PREPARED BY: ROMBLON STATE UNIVERSITY OFFICE OF AUXILIARY, PLANT SERVICES AND POLLUTION CONTROL UNIT	ELECTRICAL ENGINEER: ROLANDO B. TORRES R-4146 / 1507	CHECKED BY: JEROME A. JONOR J-1111 / 1507	SHEET CONTENT: AS SHOWN	PREPARED BY: CAD OPERATOR: Nerwin M. Antonio JOB NO. : DATE: JUNE 2017
	PROJECT TITLE: CONSTRUCTION OF EXTENSION AND TRAINING CENTER	PROJECT TITLE: CONSTRUCTION OF EXTENSION AND TRAINING CENTER	PROJECT TITLE: CONSTRUCTION OF EXTENSION AND TRAINING CENTER	PROJECT TITLE: CONSTRUCTION OF EXTENSION AND TRAINING CENTER
LOCATION: ROMBLON STATE UNIVERSITY - Main Campus, Jasaan, Olongapo, Romblon				

E-6

GENERAL NOTES :

- ALL ELECTRICAL WORKS HEREIN SHALL BE DONE IN ACCORDANCE WITH THE PROVISION OF THE LATEST EDITION OF THE PHILIPPINE ELECTRICAL CODE, WITH THE RULES AND REGULATION OF THE LOCAL POWER COMPANY (MERALCO) AND EXISTING LOCAL AND NATIONAL AUTHORITIES CONCERNED IN THE ENFORCEMENT OF ELECTRICAL LAWS AND ORDINANCES.
- SERVICE VOLTAGE TO THE BUILDING SHALL BE 240 VOLTS, SINGLE PHASE (1 ϕ), TWO WIRES (2W) + GROUND 60HZ
- WIRING METHOD SHALL BE AS FOLLOWS:
 - A. POLYVINYL CHLORIDE PIPE (PVC) FOR POWER, LIGHTING AND AUXILIARY LAYOUT.
 - B. INTERMEDIATE METALLIC CONDUIT (IMC) FOR FEEDER LAYOUT.
- ALL WIRES SHALL BE COPPER AND THERMOPLASTIC INSULATED TYPE THIN UNLESS OTHERWISE INDICATED. THE MINIMUM SIZE OF WIRES & CONDUIT FOR POWER AND LIGHTING LAYOUT SHALL BE 3.5MM SQ. THIN 15MM ϕ (NOMINAL DIAMETER) RESPECTIVELY. WIRE INSULATION ARE GOOD FOR 600 VOLTS.
- COLOR CODING :
 - LINE A - BLACK
 - LINE B - RED
 - GROUND - GREEN
 - CONTROL WIRE - YELLOW
- ALL SPLICES FOR CONDUCTORS 3.5MM MM SQ. AND ABOVE SHALL BE DONE WITH PRESSURE TIE OR TWIST-ON SPLICING MATERIALS.
- ALL MATERIALS TO BE USED AND EQUIPMENT TO BE INSTALLED SHALL BE BRAND NEW AND MUST BE OF THE APPROVED TYPE FOR BOTH PURPOSE AND LOCATION INTENDED.
- ALL METALLIC CONDUITS, CABINETS AND EQUIPMENTS SHALL BE PROPERLY GROUNDED AND BONDED BY MEANS OF COPPER STRAPS, CONNECTION TO GROUND ROD SHALL BE EXPOSED READILY ACCESSIBLE FOR INSPECTION.
- ALL ELECTRICAL WORKS HEREIN SHALL BE UNDER THE DIRECT SUPERVISION OF A DULY LICENCED ELECTRICAL ENGINEER OR A MASTER ELECTRICIAN.
- EXACT LOCATION OF ALL ELECTRICAL DEVICES TO BE VERIFIED @ SITE AND ARE SUBJECT TO ARCHITECT'S/ENGINEER'S APPROVAL.
- THE CONTRACTOR SHALL COORDINATE HIS WORK WITH ALL TRADES INVOLVED SO THAT THE EXACT LOCATIONS & QUANTITIES MAY BE OBTAINED FOR ALL OUTLETS, APPARATUS, APPLIANCES AND EQUIPMENT.
- CONTRACTOR TO CHECK SPACE REQUIREMENTS TO ENSURE THAT MATERIALS/EQUIPMENTS CAN BE INSTALLED IN THE SPACE ALLOTTED.

ELECTRICAL SYSTEM LEGEND :

	ELECTRICAL PANELBOARD MCCB TYPE;
	MOLDED CASE CIRCUIT BREAKER, RATING AS INDICATED W/ COMMON INTERNAL TRIP BOLT-ON TYPE
	PINLIGHT OUTLET, 23W
	32W CIRCULAR FLUORESCENT LAMP
	WALL LAMP
	SPOTLIGHT OUTLET
	UL UPLIGHT OUTLET
	FENCE LIGHT OUTLET
	ONE GANG, SINGLE POLE SWITCH, 16A, 250V
	TWO GANG, SINGLE POLE SWITCH, 16A, 250V
	THREE GANG, SINGLE POLE SWITCH, 16A, 250V
	DUPLEX CONVENIENCE OUTLET GROUNDING TYPE (230V)
	REFRIGERATOR OUTLET
	TABLE HEIGHT/WEATHERPROOF

PREPARED BY: **ROLANDO M. LIMZ**
 ELECTRICAL ENGINEER
 REGISTERED PROFESSIONAL ENGINEER
 REG. NO. 10101
 DATE: 2017
 PIN: 10101

CHECKED BY: **AGUSTIN M. FOR EMBARTO**
 ARCHT. DIRECTOR
 APPROVED BY: **RODOLFO M. LIMZ**
 REGISTERED PROFESSIONAL ENGINEER
 REG. NO. 10101
 DATE: 2017
 PIN: 10101

ROMBLON STATE UNIVERSITY
 OFFICE OF AUXILIARY, PLANT SERVICES AND POLLUTION CONTROL UNIT

PROJECT TITLE: **CONSTRUCTION OF EXTENSION AND TRAINING CENTER**
 LOCATION: ROMBLON STATE UNIVERSITY - Main Campus, Juvang, Oribagon, Rombilon

AS SHOWN

PREPARED BY: **Netwelle Rotomi**
 CAD OPERATOR:
 JOB NO.:
 DATE: JUNE 2017

E-7

- WHEN IN DOUBT ABOUT THE DESIGN CONCEPT OR INTENT, SUBMIT A LETTER OF INQUIRY (RFI) TO THE PARTY CONCERNED.
- THE CONTRACT DRAWINGS, INSTRUCTION AND TECHNICAL SPECIFICATION SHALL BE CONSIDERED AS ONE, WHATEVER IS CALLED FOR BY ANY OF THE DOCUMENTS SHALL BE IMPLEMENTED TO THE FULLEST EXTENT.
- THE ELECTRICAL CONTRACTOR SHALL EXAMINE AND STUDY THE ARCHITECTURAL SCALE DRAWINGS, LARGE SCALE AND FULL-SIZE DETAILS, APPROVED SHOP DRAWINGS FROM OTHER TRADES AND SHALL FREQUENTLY CONSULT AND COORDINATE WITH OTHER TRADES TO AVERT CONFLICT IN ACTUAL SITE INSTALLATION WORKS.
- THE PLANS AS DRAWN ARE BASED UPON THE ARCHITECTURAL PLANS AND THE DETAILS AND SHOWN CONDITION AS ACCURATELY AS IT IS POSSIBLE TO INDICATE THEM IN SCALE. THE PLANS ARE DIAGRAMMATICAL AND DO NOT NECESSARILY SHOW ALL FITTINGS NECESSARY TO FIT TO THE BUILDING CONDITIONS. THE LOCATIONS OF OUTLETS, APPARATUS AND APPLIANCE SHOWN ON THE PLANS ARE APPROXIMATE. THE CONTRACTOR SHALL BE HELD RESPONSIBLE FOR THEIR PROPER LOCATION IN ORDER TO MAKE THEM FIT WITH THE ARCHITECTURAL DETAILS AND INSTRUCTIONS FROM THE ENGINEER'S REPRESENTATIVE AT THE SITE.
- UPON COMPLETION OF ELECTRICAL CONSTRUCTION WORK, THE FOLLOWING TESTS SHALL BE PERFORMED BY THE CONTRACTOR INCLUSIVE OF THE INSTALLATION TO BE REPORTED IN DETAILS AND IN FORMS APPROVED BY THE OWNER'S REPRESENTATIVE:
 - A. INSULATION RESISTANCE TEST
 - B. GROUND RESISTANCE TEST
 - C. OPERATIONAL TEST
 - D. PHASE BALANCING TEST
 - E. PHASE SEQUENCE TEST
 - F. SYSTEM TEST
- PROVIDE COMPUTERIZED AND LAMINATED DIRECTORY FOR ALL PANELS AND DP'S.
 - CONDUIT RUN UNDER FLOOR OR EMBEDDED IN FLOOR SLAB
 - BRANCH CIRCUIT HOMERUN TO
 - TELEPHONE OUTLET
 - INTERCOM OUTLET
 - CATV ANTENNA OUTLET
 - DOOR BELL/PUSH BUTTON
 - AIRCON OUTLET
 - WATER HEATER OUTLET
 - STOVE OUTLET
 - CONDUIT RUN OVERHEAD INSIDE CEILING OR IN WALLS